

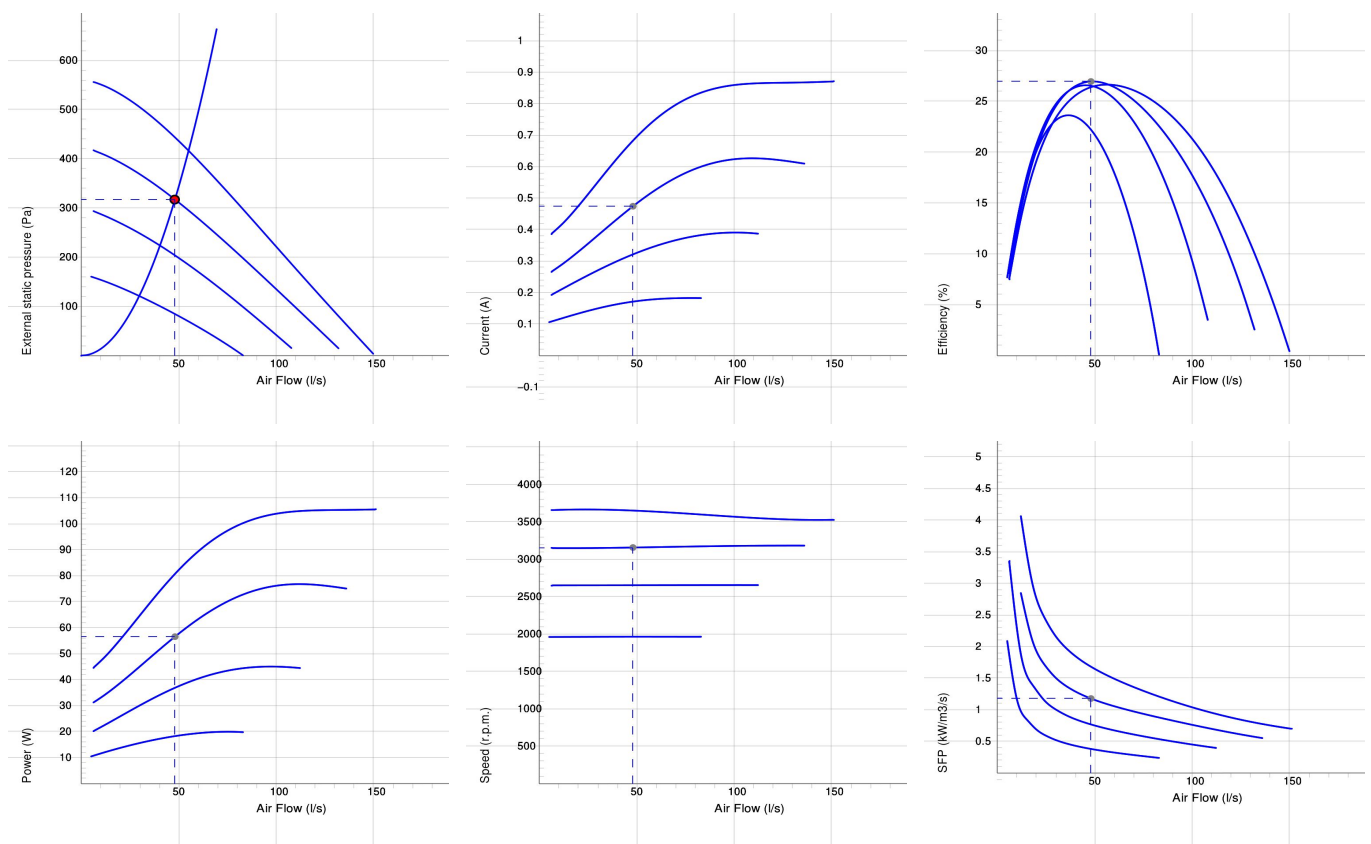
CK 125 C EC



CK EC

- Duct fan with circular connections.
- Proven performance and reliability.
- Compact with high capacity and efficiency.
- Low sound levels.
- Impeller with backward curved blades.
- The external rotor motor has maintenance-free sealed ball-bearings and is very energy efficient.
- Speed controlling can be done with the built-in potentiometer, 0-10 V alt. external control.
- Integrated motor protection.
- Junction box has enclosure class IP 54.
- Fan housing is manufactured from galvanized sheet steel.
- The fan is intended to be installed in a duct system.
- A duct connected fan can be installed outside or in damp environments.
- Easy installation in any position.

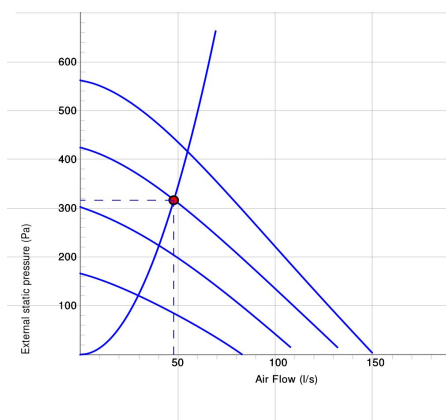
DIAGRAMS



Work Point

Air Flow (l/s)	External static pressure (Pa)	Power (W)	Speed (r.p.m.)	Current (A)	Efficiency (%)	SFP (kW/m ³ /s)	Voltage (V)
48	317	56.5	3157	0.474	26.9	1.18	8

SOUND DATA



	Tot	63	125	250	500	1k	2k	4k	8k
Inlet Lw dB(A)	76	56	67	70	71	68	64	62	56
Outlet Lw dB(A)	76	53	65	70	71	68	67	62	57
Surrounding Lw dB(A)	51	32	29	41	43	46	40	43	36
Surrounding Lp dB (A) 3m	44	25	22	34	36	39	33	36	29

Work Point

Air Flow (l/s) 48	External static pressure (Pa) 317	Power (W) 56.5	Speed (r.p.m.) 3157	Current (A) 0.474	Efficiency (%) 26.9	SFP (kW/m3/s) 1.18	Voltage (V) 8
----------------------	--------------------------------------	-------------------	------------------------	----------------------	------------------------	-----------------------	------------------

TECHNICAL DATA

CK 125 C EC 7001101

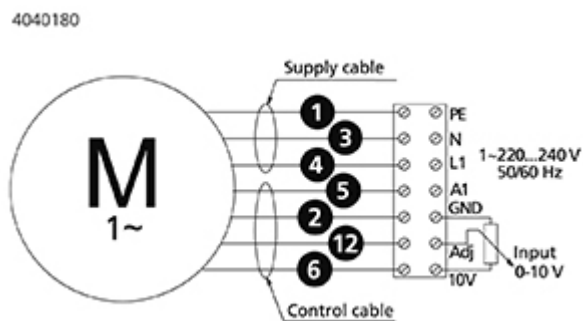
Parameter	Value	Unit
Voltage	230	V
Phase	1	~
Frequency	50/60	Hz
Power	106	W
Current	0.87	A
Speed	3540	r.p.m.
Max. temperature of transported air	60	°C
Sound pressure level at 3 m	46	dB(A)
Weight	2.5	kg
Enclosure class	54	IP
Insulation class, motor	F	
Duct connection	125	mm
Max. flow	151	l/s
Max. pressure	569	Pa
Voltage range	220-240	V

ECODESIGN

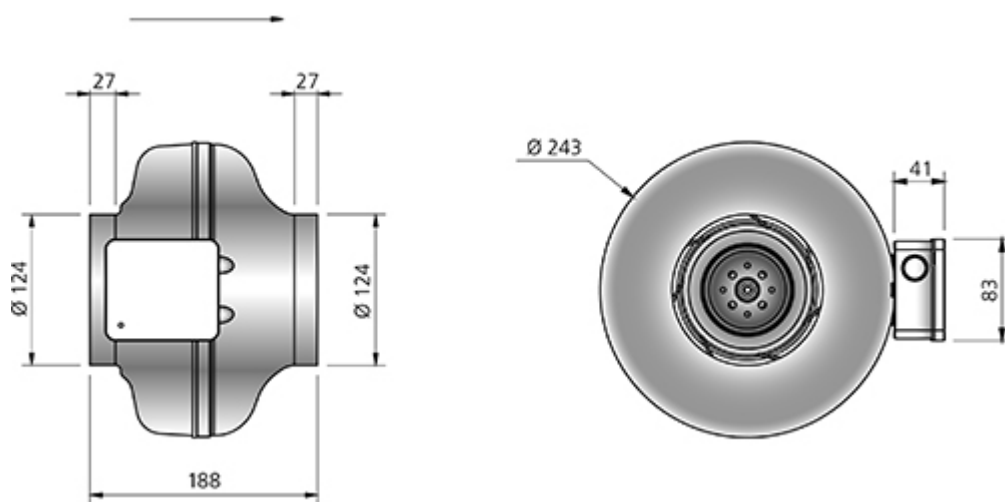
Parameter	Value	Unit
(a) Manufacturer	Östberg	-
(b) Model code	CK 125 C EC	-
(c) Declared type	NRVU / UVU	-
(d) Type of drive	Variable speed drive	-
(e) Type of HRS	N/A	-
(f) Thermal efficiency	N/A	%
(g) Nominal flow rate	0.059	m ³ /s
(h) Effective power input	0.089	kW
(i) SFP int	N/A	W/(m ³ /s)
(j) Face velocity	4.8	m/s
(k) Nominal external pressure	407	Pa
(l) Internal pressure drop	N/A	Pa
(n) Static efficiency	42.1	%
(o) External (internal) leakage rate	0.22	%
(p) Filter classification	N/A	%
(q) Visual filter warning	N/A	-
(r) Sound power level	53	dB LwA
(s) Disassembly instructions	www.ostberg.com	-

WIRING DIAGRAM

- Ⓜ = Fan Motor
- Ⓜ1 = Fan Motor
- Ⓜ2 = Fan Motor
- Ⓜ3 = Rotor Motor
- ① = Yellow/Green
- ② = Black
- ③ = Blue
- ④ = Brown
- ⑤ = White
- ⑥ = Orange
- ⑦ = Grey
- ⑧ = Red
- ⑨ = Green
- ⑩ = Violet
- ⑪ = Quick switch
- ⑫ = Yellow



DIMENSIONS



ACCESSORIES

Mechanical accessories



Mounting bracket Kit MB



Mounting clamp MK 125



Safety grille BSV 125



Back draught shutter RSK 125



Louvre YG 125



Louvre shutter VK 125



Filterbox FLK 125



Filterbox FLF 125



Silencer LDC 125

Electrical accessories



Speed controller MS EC



Pressure regulator CALAIR-PR-230V



Pressure regulator FKP-R