

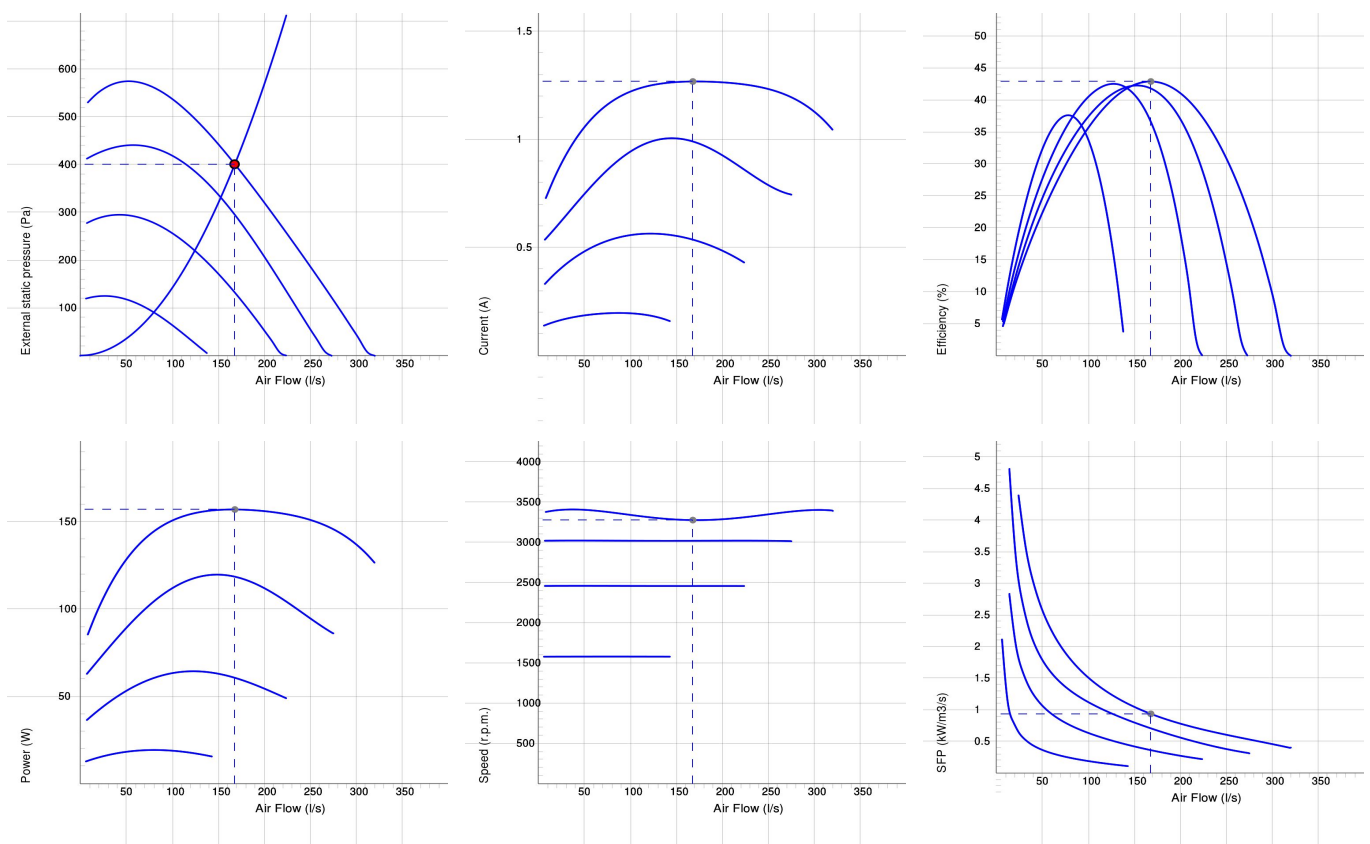
## CK 250 B EC



### CK EC

- Duct fan with circular connections.
- Proven performance and reliability.
- Compact with high capacity and efficiency.
- Low sound levels.
- Impeller with backward curved blades.
- The external rotor motor has maintenance-free sealed ball-bearings and is very energy efficient.
- Speed controlling can be done with the built-in potentiometer, 0-10 V alt. external control.
- Integrated motor protection.
- Junction box has enclosure class IP 54.
- Fan housing is manufactured from galvanized sheet steel.
- The fan is intended to be installed in a duct system.
- A duct connected fan can be installed outside or in damp environments.
- Easy installation in any position.

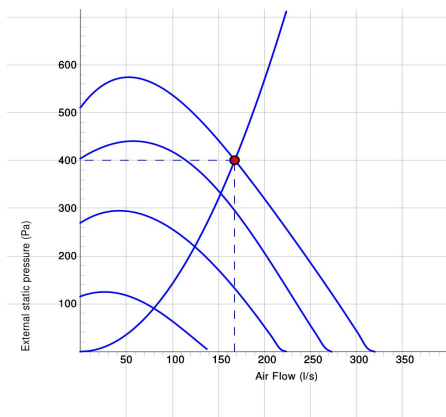
## DIAGRAMS



## Work Point

Air Flow (l/s) 168	External static pressure (Pa) 401	Power (W) 157	Speed (r.p.m.) 3276	Current (A) 1.27	Efficiency (%) 42.9	SFP (kW/m <sup>3</sup> /s) 0.935	Voltage (V) 10
-----------------------	--------------------------------------	------------------	------------------------	---------------------	------------------------	-------------------------------------	-------------------

## SOUND DATA



	Tot	63	125	250	500	1k	2k	4k	8k
Inlet Lw dB(A)	80	57	68	74	71	72	73	70	61
Outlet Lw dB(A)	81	56	66	77	72	72	74	71	62
Surrounding Lw dB(A)	53	27	41	44	48	46	42	43	34
Surrounding Lp dB (A) 3m	46	20	34	37	41	39	35	36	27

## Work Point

Air Flow (l/s) 168	External static pressure (Pa) 401	Power (W) 157	Speed (r.p.m.) 3276	Current (A) 1.27	Efficiency (%) 42.9	SFP (kW/m3/s) 0.935	Voltage (V) 10
-----------------------	--------------------------------------	------------------	------------------------	---------------------	------------------------	------------------------	-------------------

## TECHNICAL DATA

### CK 250 B EC 7001048

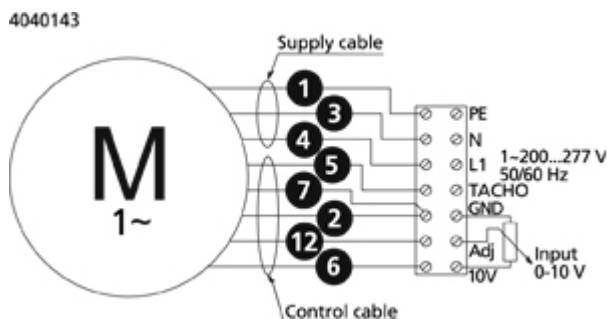
Parameter	Value	Unit
Voltage	230	V
Phase	1	~
Frequency	50/60	Hz
Power	155	W
Current	1.25	A
Speed	3330	r.p.m.
Max. temperature of transported air	50	°C
Sound pressure level at 3 m	46	dB(A)
Weight	4.1	kg
Enclosure class	44	IP
Insulation class, motor	F	
Capacitor	-	µF
Duct connection	250	mm
Max. flow	314	l/s
Max. pressure	587	Pa
Voltage range	220-240	V

## ECODESIGN

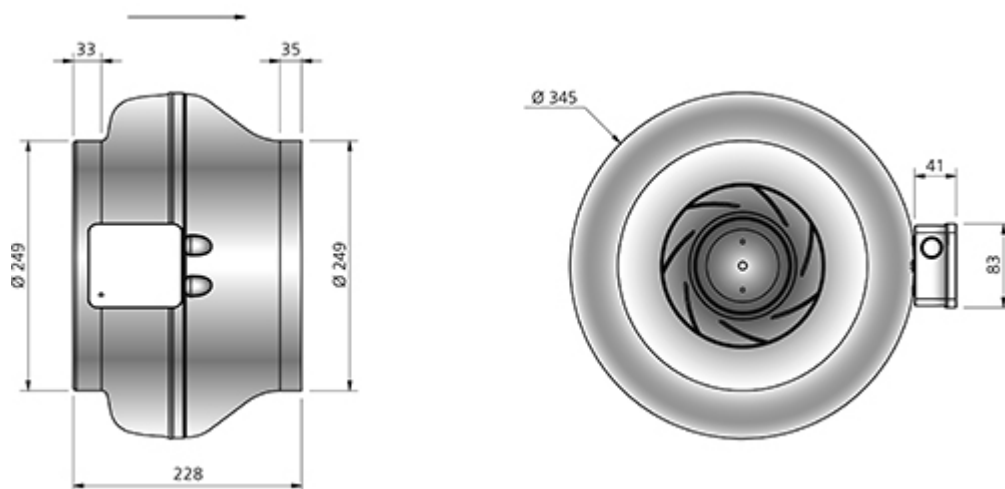
Parameter	Value	Unit
(a) Manufacturer	Östberg	-
(b) Model code	CK 250 B EC	-
(c) Declared type	NRVU / UVU	-
(d) Type of drive	Variable speed drive	-
(e) Type of HRS	N/A	-
(f) Thermal efficiency	N/A	%
(g) Nominal flow rate	0.169	m <sup>3</sup> /s
(h) Effective power input	0.154	kW
(i) SFP int	N/A	W/(m <sup>3</sup> /s)
(j) Face velocity	3.4	m/s
(k) Nominal external pressure	387	Pa
(l) Internal pressure drop	N/A	Pa
(n) Static efficiency	56.8	%
(o) External (internal) leakage rate	0.18	%
(p) Filter classification	N/A	%
(q) Visual filter warning	N/A	-
(r) Sound power level	53	dB LwA
(s) Disassembly instructions	<a href="http://www.ostberg.com">www.ostberg.com</a>	-

## WIRING DIAGRAM

- Ⓜ = Fan Motor
- Ⓜ1 = Fan Motor
- Ⓜ2 = Fan Motor
- Ⓜ3 = Rotor Motor
- 1 = Yellow/Green
- 2 = Black
- 3 = Blue
- 4 = Brown
- 5 = White
- 6 = Orange
- 7 = Grey
- 8 = Red
- 9 = Green
- 10 = Violet
- 11 = Quick switch
- 12 = Yellow



## DIMENSIONS



## ACCESSORIES

### Mechanical accessories



Mounting bracket Kit MB



Mounting clamp MK 250



Safety grille BSV 250



Back draught shutter RSK 250



Louvre YG 250



Louvre shutter VK 250



Filterbox FLK 250



Filterbox FLF 250



Silencer LDC 250

### Electrical accessories



Speed controller MS EC



Pressure regulator CALAIR-PR-230V



Pressure regulator FKP-R